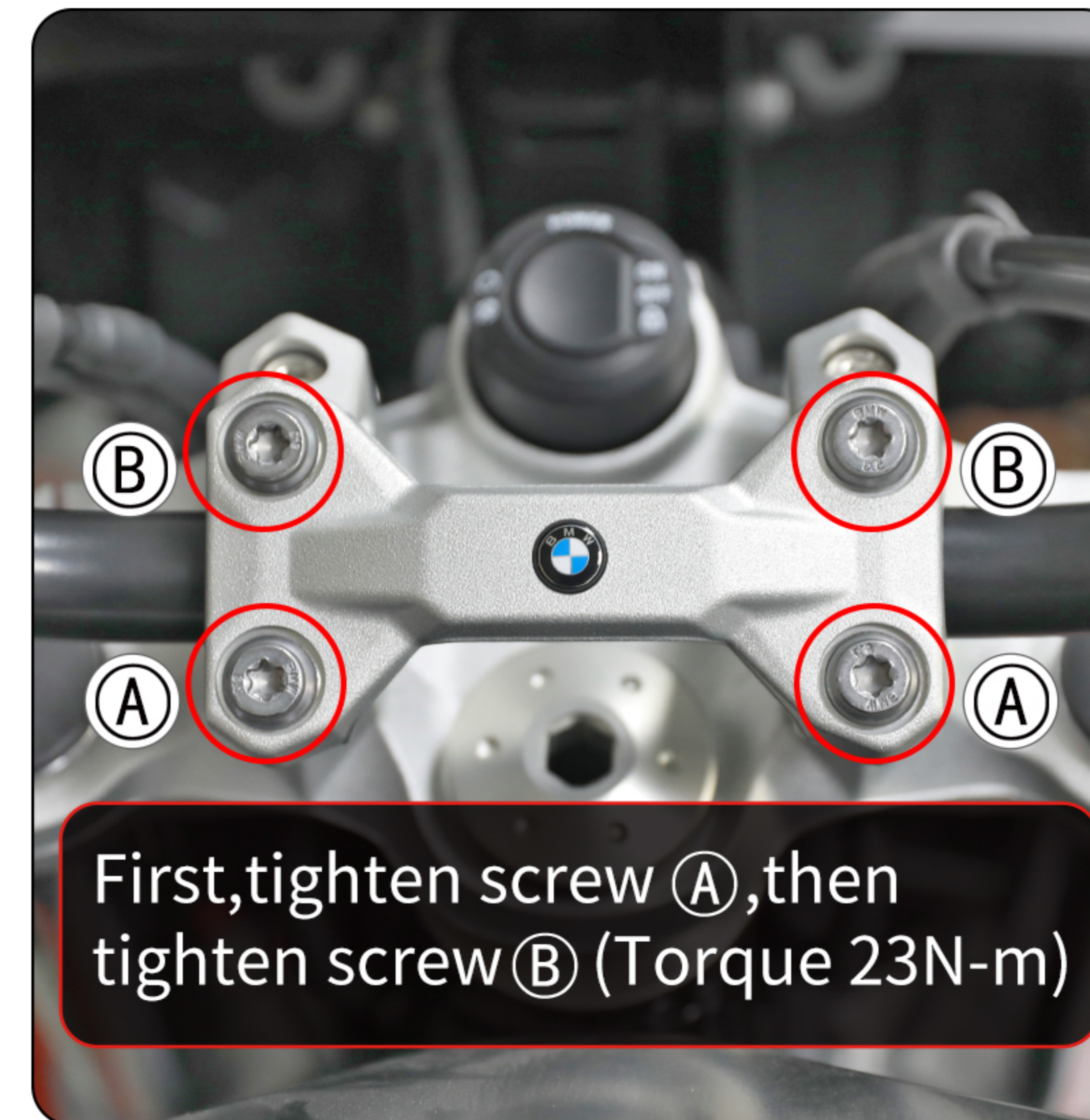
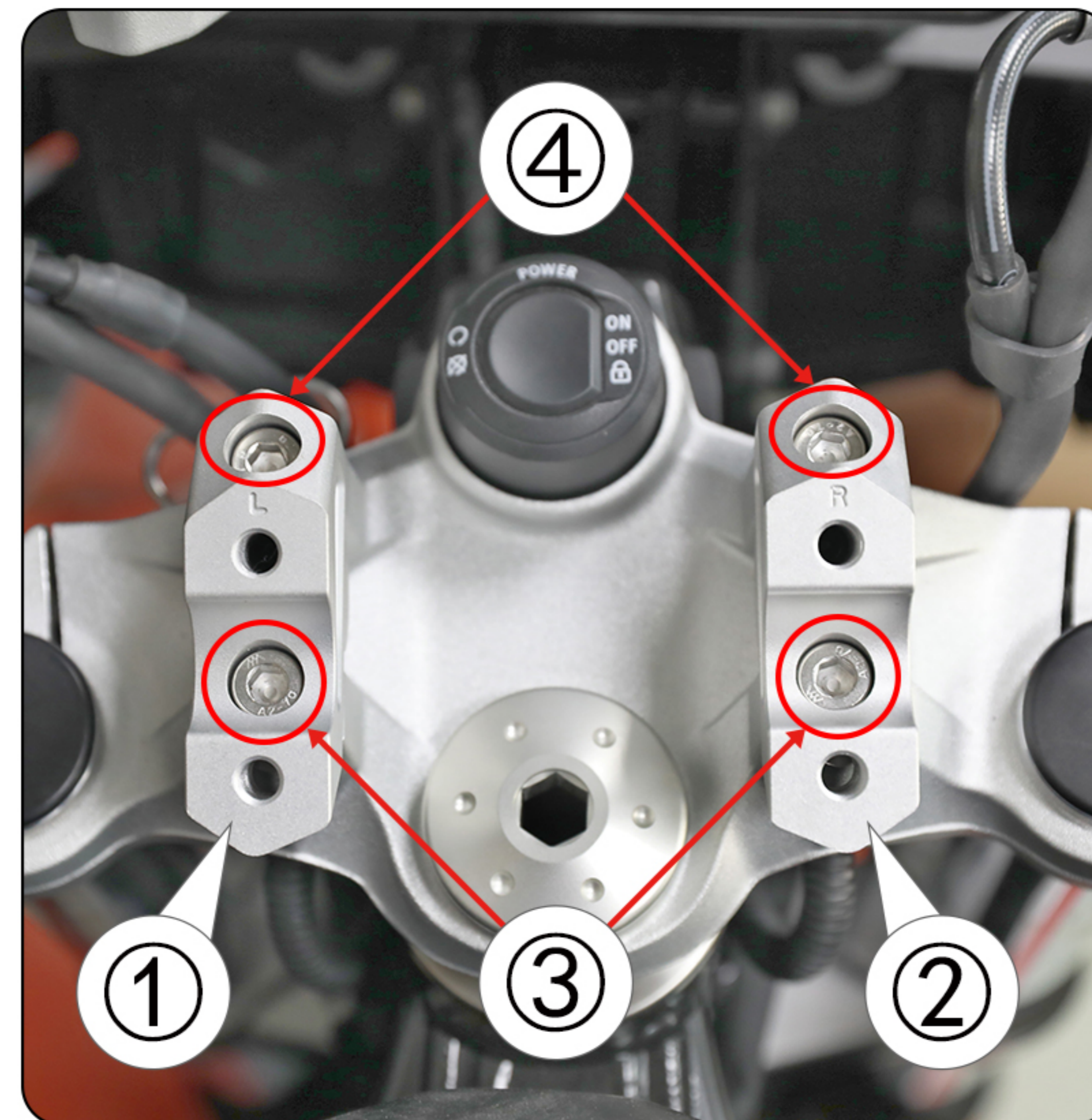
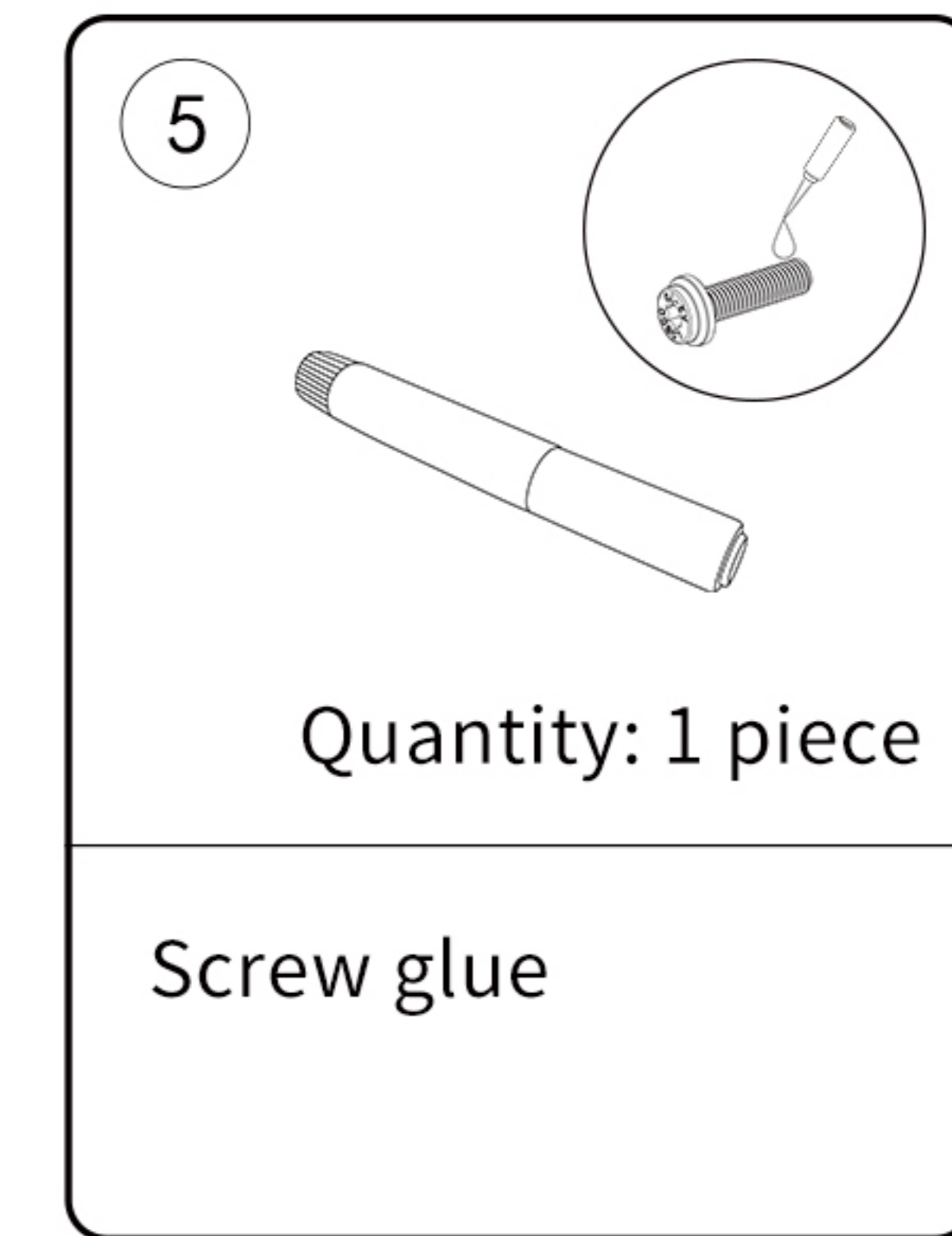
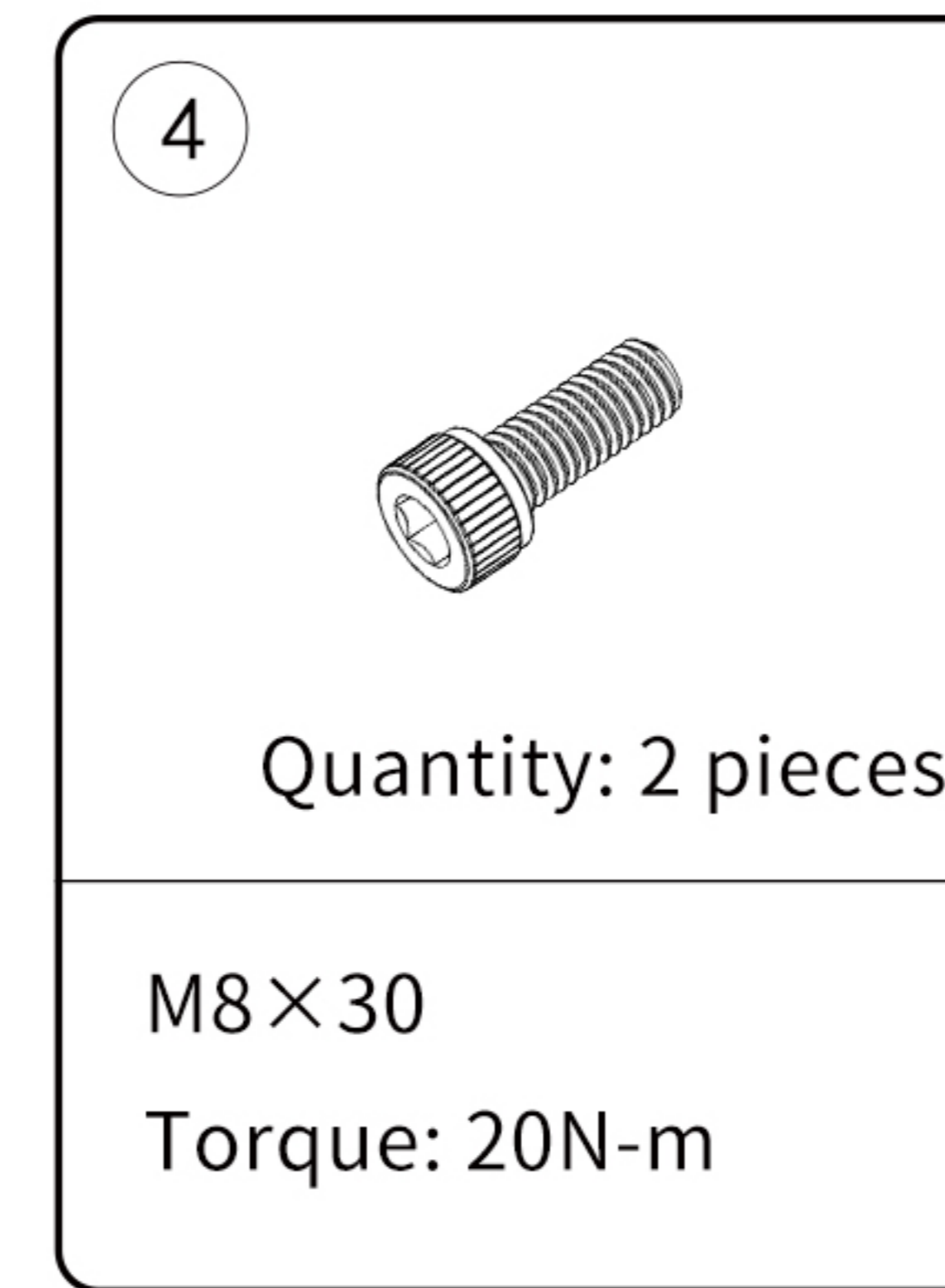
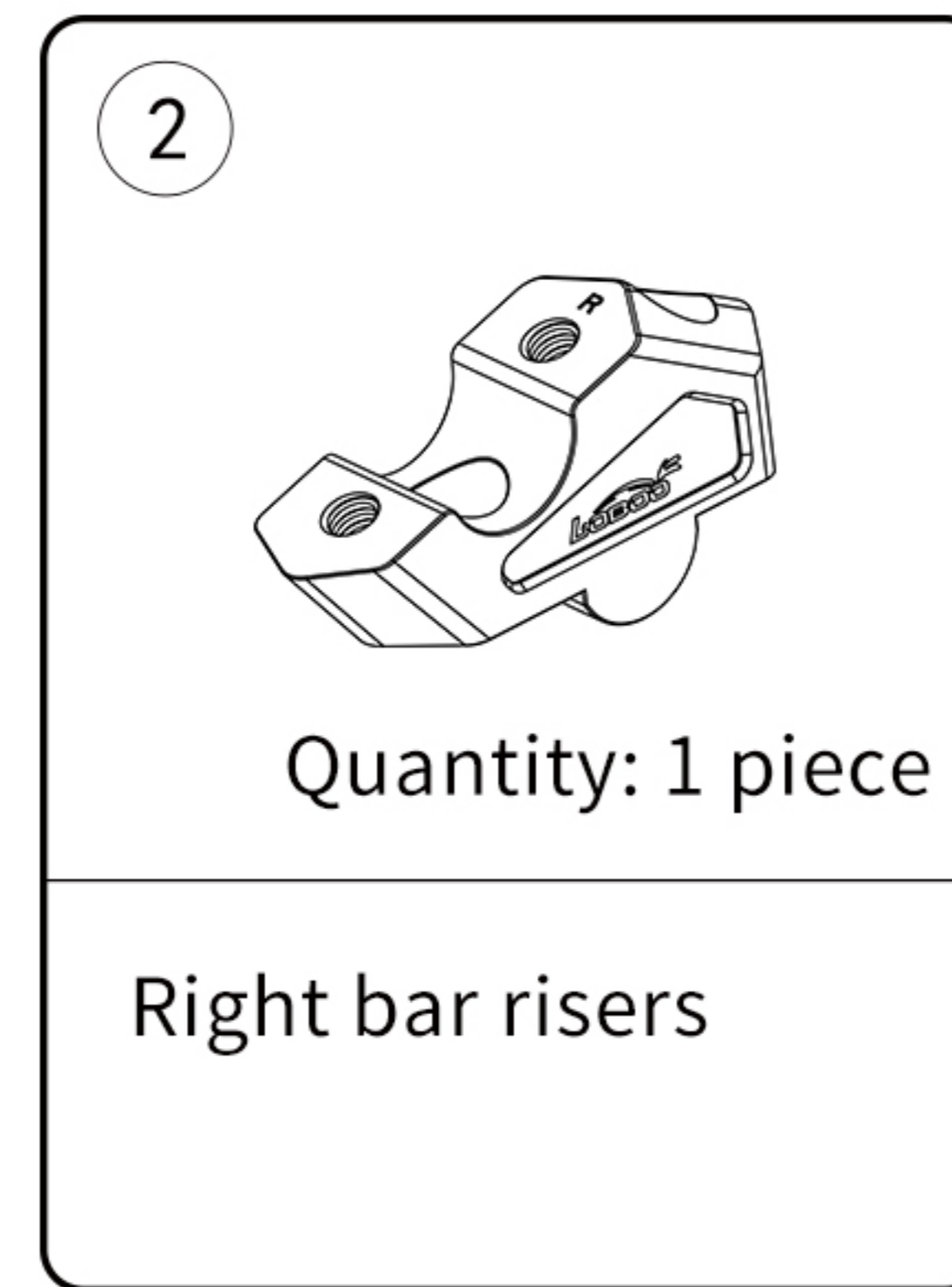
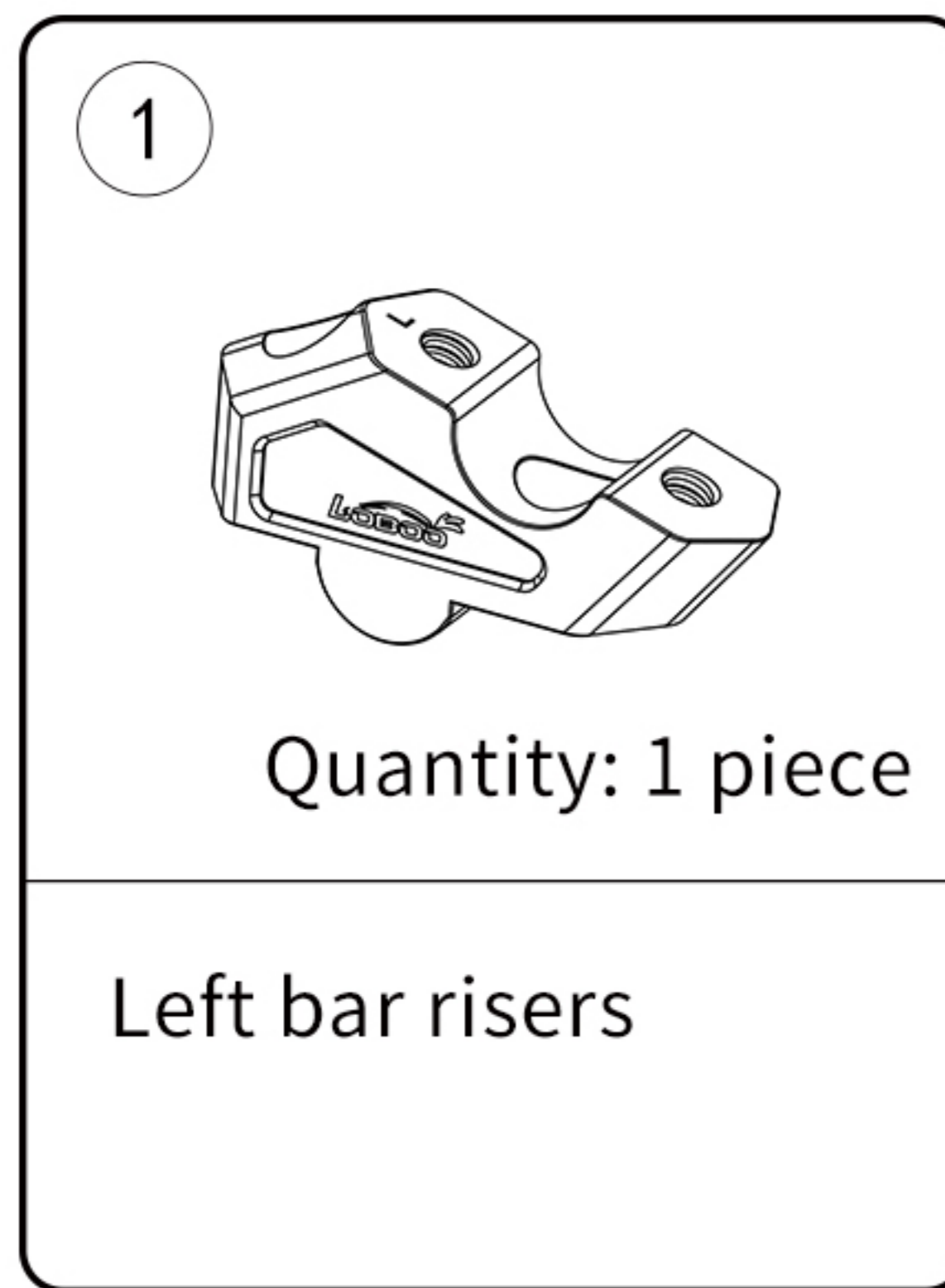


BMW F750GS Bar Risers Installation Instructions

Model: CJG031



Notes:

1. Please read the installation instructions before installation.
2. Do not tighten the fixing screws when installing each part in turn, and then apply the appropriate amount of screw glue after each part is installed. Then tighten all the screws, and note the torque requirement of each screw (see the above accessories list).
3. Regularly check the fixing screws of each part.